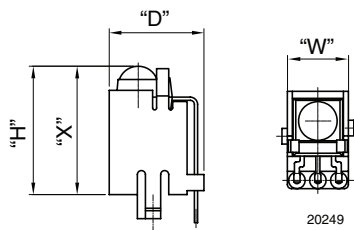
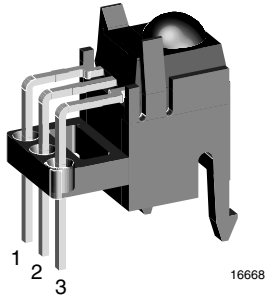


IR Receiver Modules for Remote Control Systems


FEATURES

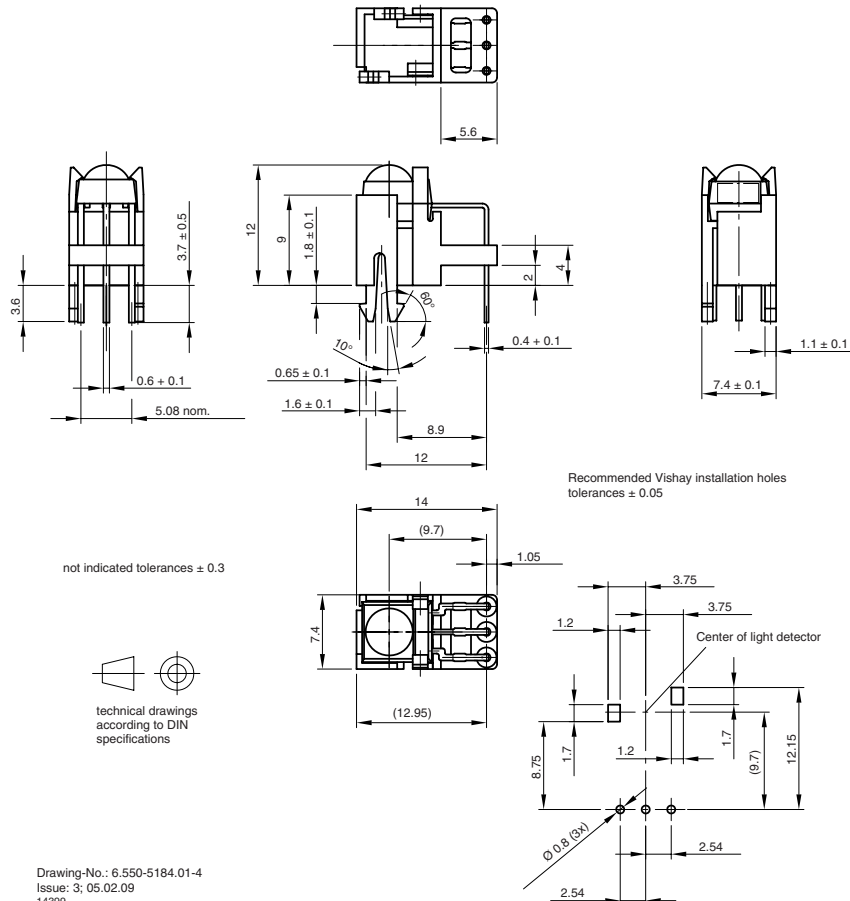
- Compliant to RoHS directive 2002/95/EC and in accordance to WEEE 2002/96/EC


AVAILABLE FOR:

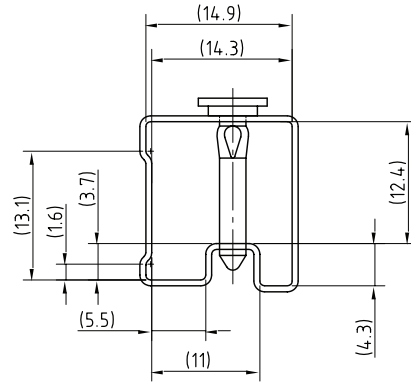
- TSOP34...
- TSOP4....
- TSOP32...
- TSOP2....


RoHS
COMPLIANT

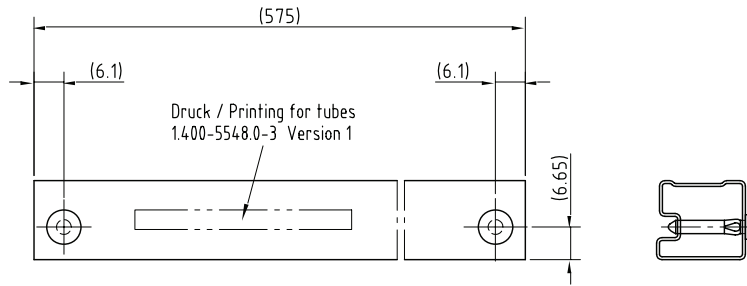
NAME	LENS AXIS (X)	VIEW	TYPE	HEIGHT (H)	WIDTH (W)	DEPTH (D)
YA1	12	Top	Holder	12	7.4	14

MECHANICAL DIMENSIONS in millimeters


PACKAGING DIMENSIONS in millimeters



Wanddicke/wall thickness: 0.6
Bohrungen durchgehend
holes on both sides

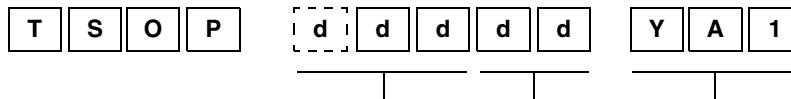


1:1

Drawing-No.: 9.700-5214.0-4
Rev. 8; Date: 21.04.06

20263-1

ORDERING INFORMATION



2 or 3 digit product series 2 digit frequency Holder type

Note

d = "digit", please consult the list of available series on the previous page to create a valid part number.

Example: TSOP14838YA1

PACKING QUANTITY

- 75 pieces per tube
- 27 tubes per carton